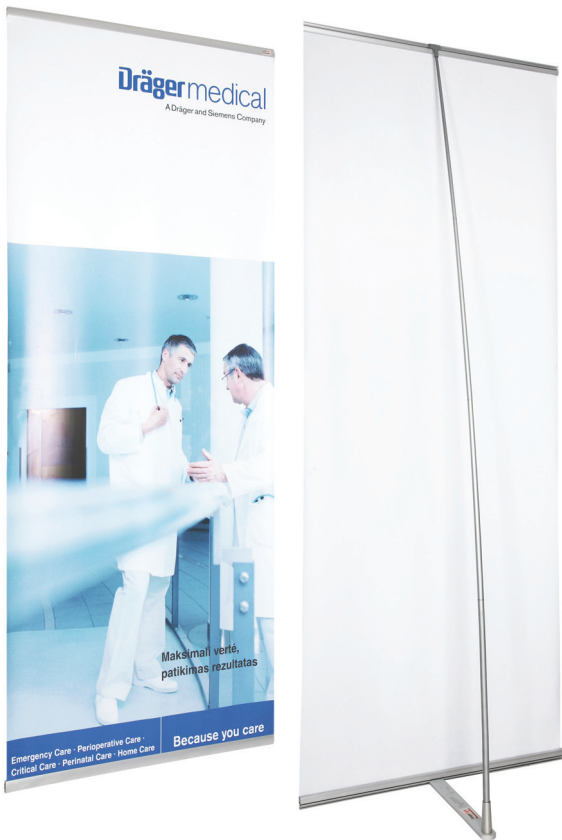


L-BANNER 90

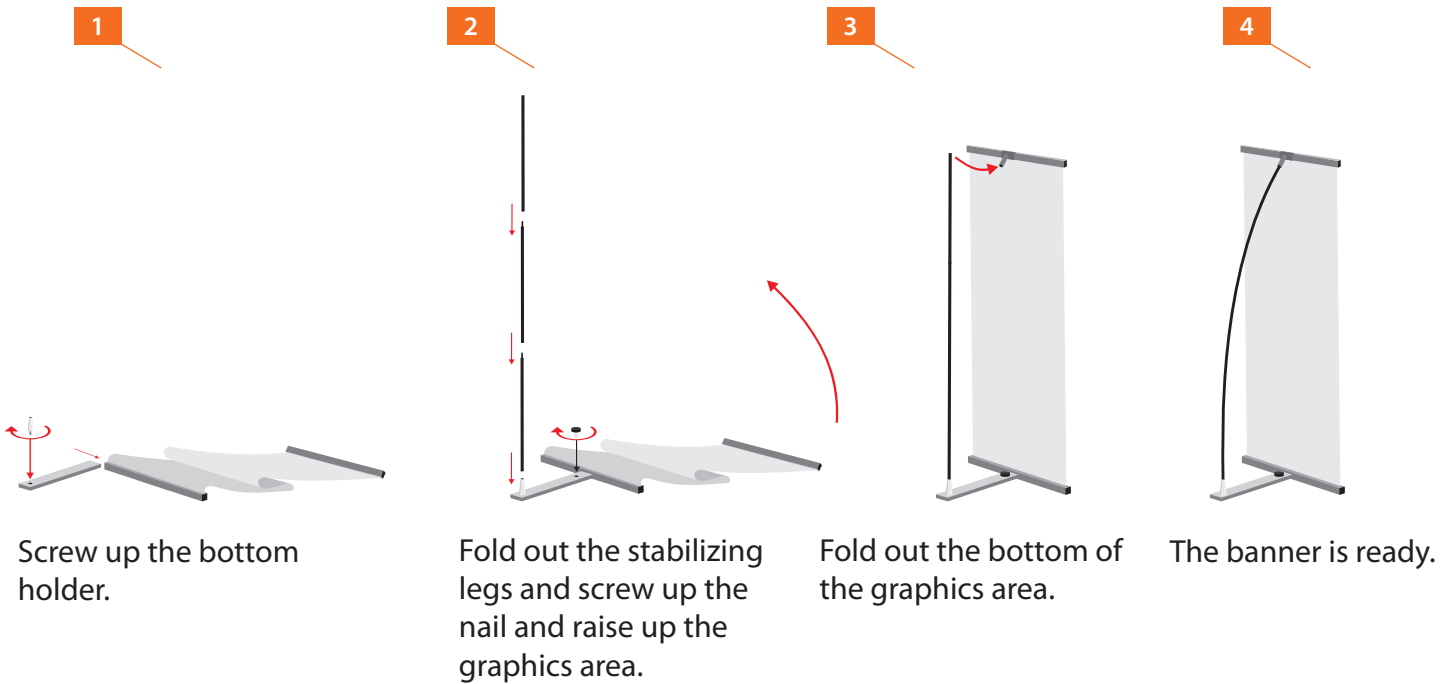


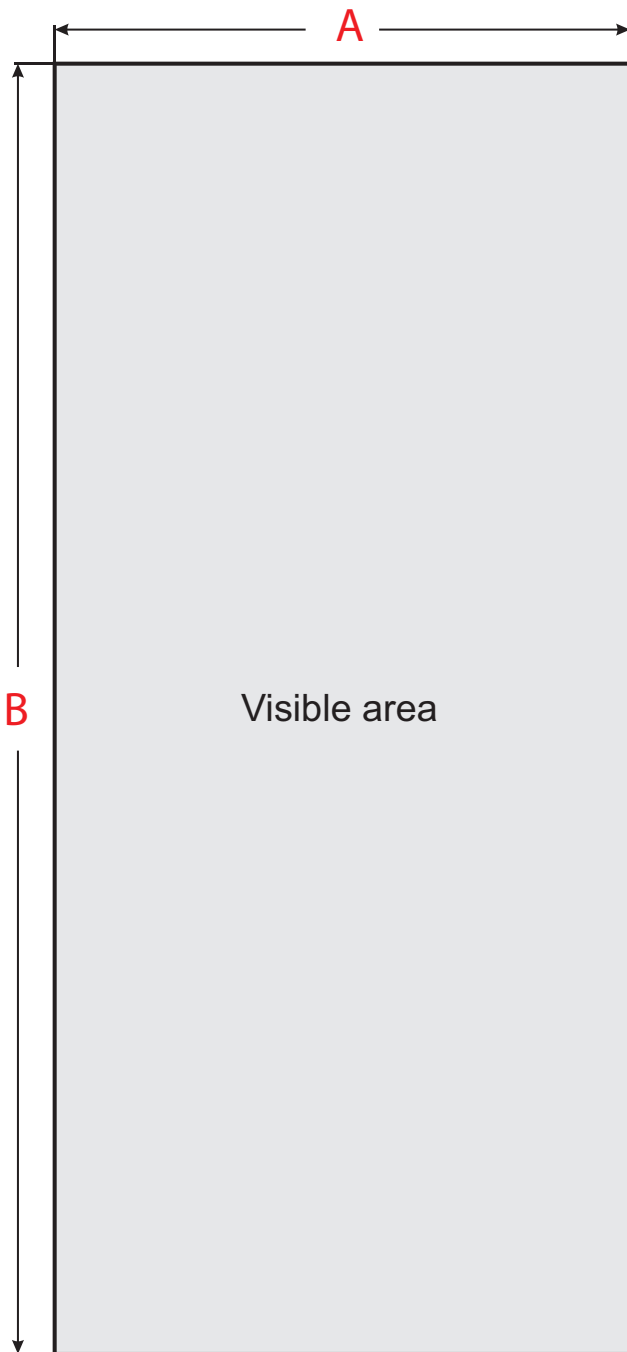
Set-up Instruction

Mobile display "L-Banner 90" is original because of its construction. Easy and quick to set-up, you will not need any special tools.

Product Information

Graphic size (mm)	900 x 2150
Packaged weight	1.4Kg,
Material	aluminium alloy, plastic





Graphic Specification

These are guidelines for preparing ready printing files

Artwork Guidelines

Visible graphic size (A x B)	900 x 2150
--------------------------------	------------

Artwork Requirements

Resolution	100-150 dpi
------------	-------------

Color mode	CMYK
------------	------

File format (scale M 1:1)	.TIFF
-----------------------------	-------

Recommendations

Keep all important graphic elements (images, text, etc.) within the visible area.

Please allow space for trimming by not placing type or logos too close to the edge of the visible area.